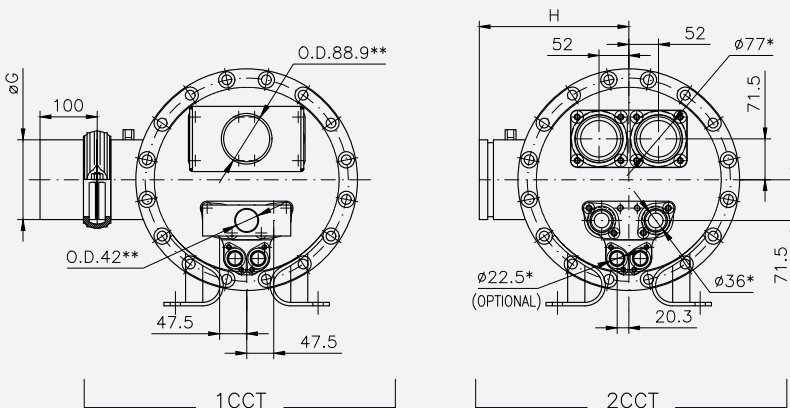
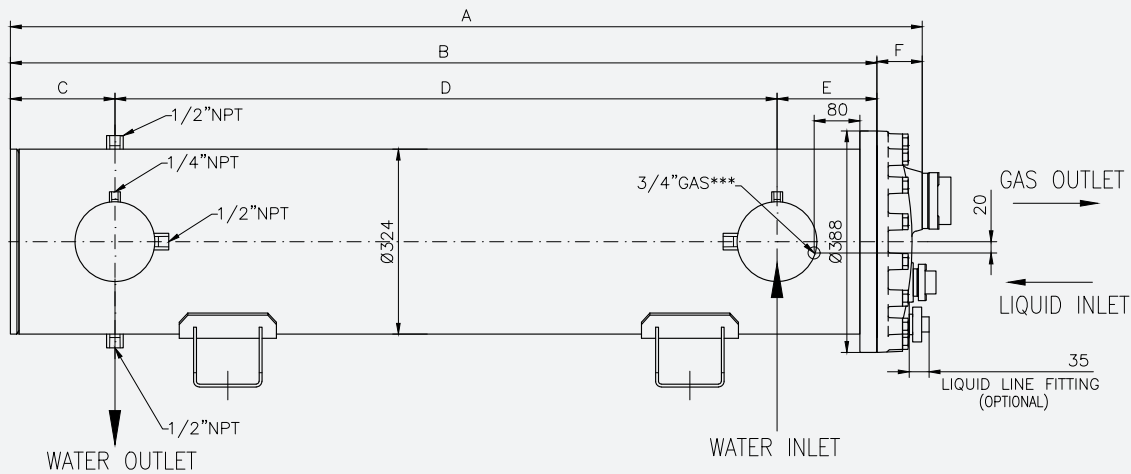


Length [mm]	Number of ranks	Weight [kg]	Water [dm ³]	Gas [dm ³]	A [mm]	B [mm]	C [mm]	D [mm]	E [mm]	F [mm]	Ø G [mm]	H [mm]	N° CCT
1160	66	179	104	18	1597,5	1518	183	1160	175	79,5	139,7	262	1CC/2CCT
	77	185	101	21									
	88	189	98	24									
	99	194	96	26									
2000	66	242	143	28	2439,5	2360	190	2000	170	79,5	139,7	262	1CC/2CCT
	77	251	138	32									
	88	259	133	36									
	99	266	128	40									

* Please contact technical dept. at WIELAND PROVIDES S.r.l. for more info



- * INTERNAL DIAMETER OF FERRULE MANIFOLD (MONO SERIES ONLY)
- ** MANIFOLD (MONO SERIES ONLY)
- *** HEAT RESISTANCE—ON THE OTHER SIDE