

Wieland GEWA-C

Condenser Tubes

Applications

GEWA-C tubes are enhanced condenser tubes for shell-and-tube heat exchangers. They are used in shell-side condensation mainly with safety refrigerants, but also with light hydrocarbons, in the air-conditioning and refrigeration industry. Cooling water is circulated on the tube side.

Benefits

- Increased heat transfer on the shell and tube side
- Superior overall heat transfer performance
- Substantial reduction of heat exchanger size and refrigerant charge
- Significant improvement in life cycle energy efficiency

Product Types

Tailor-made for specific applications

- C5 & C6 | For highest performance and efficiency
- C+SL/LW | Weight optimized, drop-in applications
- CLF | For seawater/increased fouling applications
- CPL | For high fouling applications

Tube Material		
Wieland Code	ISO Code	UNS Code/ ASTM-Code
K21	Cu-DHP	C12200
L10	CuNi10Fe1Mn	C70600
L30	CuNi30Mn1Fe	C71500
S76	CuZn20Al2As	C68700
CS	P235GH	A179

Other materials on request

Fabrication and Certification

- DIN EN 12452 / EN 10216-2
- DIN 17679 and VdTÜV 420 / 5 (for use in pressure vessels)
- ASTM B 359 / ASME SB-359 / ASTM A-498

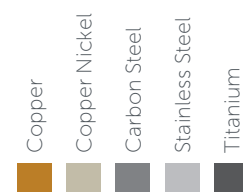
Certification for use in pressure vessels has been obtained with AD-Merkblatt W0 / TRD 100. Certificates 3.1 / 3.2 according to DIN EN 10204.

ThermalS Design Software

Wieland Thermal Solutions provides thermal design software to optimise your enhanced heat exchangers.

More information on our ThermalS online platform on: wieland.com/optimized-heat-transfer

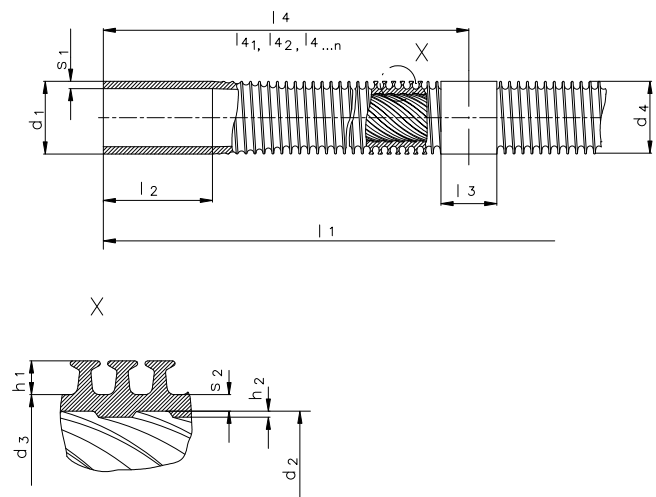
Available in a wide range of materials



Tube	Material	Plain End		Finned Section				Weight ¹⁾
		d ₁	s ₁	d ₄	d ₃	s ₂	d ₂	G
		(mm)	(mm)	(mm)	(mm)	(mm)	(mm)	(kg/m)
GEWA-C6H 3/4" x 0.63	K21	19.00	1.12	18.85	16.95	0.63	15.69	0.470
GEWA-C5H 3/4" x 0.63	K21	19.00	1.10	18.85	16.95	0.63	15.69	0.487
GEWA-C5H 3/4" x 0.71	K21	19.00	1.20	18.85	16.95	0.71	15.53	0.516
GEWA-C5H 1" x 0.63	K21	25.45	1.16	25.25	23.35	0.63	22.09	0.687
GEWA-C5H 1" x 0.71	K21	25.45	1.24	25.25	23.35	0.71	21.93	0.723
GEWA-C+SL 3/4" x 0.63	K21	19.00	1.10	18.85	16.95	0.63	15.69	0.467
GEWA-C+SL 3/4" x 0.71	K21	19.00	1.16	18.85	16.95	0.71	15.53	0.495
GEWA-C+SL 3/4" x 0.90	K21	19.00	1.45	18.85	16.95	0.90	15.15	0.637
GEWA-C+LW 1" x 0.71	K21	25.45	1.25	25.25	23.35	0.71	21.93	0.697
GEWA-C+LW 1" x 0.63	K21	25.45	1.20	25.25	23.35	0.63	22.09	0.667
GEWA-CLF 5/8" x 0.63	K21	15.88	1.17	15.80	13.90	0.63	12.64	0.435
GEWA-CLF 5/8" x 0.63	L10	15.88	1.17	15.80	13.90	0.63	12.64	0.435
GEWA-CLF 5/8" x 0.80	K21	15.88	1.40	15.80	13.90	0.80	12.30	0.505
GEWA-CLF 5/8" x 0.80	L10	15.88	1.40	15.80	13.90	0.80	12.30	0.505
GEWA-CLF 3/4" x 0.71	K21	19.00	1.30	18.85	16.95	0.71	15.53	0.591
GEWA-CLF 3/4" x 0.90	K21	19.00	1.55	18.85	16.95	0.90	15.15	0.652
GEWA-CLF 3/4" x 0.71	L10	19.00	1.35	18.85	17.15	0.71	15.73	0.596
GEWA-CLF 3/4" x 0.71	L30	19.00	1.35	18.85	17.15	0.71	15.73	0.596
GEWA-CLF 3/4" x 0.90	L10	19.00	1.55	18.85	17.15	0.90	15.35	0.671
GEWA-CLF 3/4" x 0.90	CS	19.00	1.55	18.85	17.15	0.90	15.35	0.596
GEWA-CLF 3/4" x 0.90	S76	19.00	1.55	18.85	17.15	0.90	15.35	0.596
GEWA-CLF 3/4" x 1.00	L30	19.00	1.65	18.85	17.15	1.00	15.15	0.706
GEWA-CLF 1" x 0.89	L10	25.45	1.55	25.25	23.55	0.89	21.77	0.934
GEWA-CPL 3/4" x 0.90	K21	19.00	1.35	18.85	17.05	0.90	15.25	0.623
GEWA-CPL 3/4" x 0.90	L10	19.00	1.35	18.85	17.05	0.90	15.25	0.623

1) Approximate weight for tubes without unfinned intermediate parts
Low pressure version on request

Length l ₁	Tolerances
< 2000	+ 2 mm
2000–8000	+ 1 %



wieland

Wieland-Werke AG | Graf-Arco-Straße 36 | 89079 Ulm | Germany
info@wieland.com | wieland.com

This brochure is for your general information only and is not subject to revision. No claims can be derived from it unless there is evidence of intent or gross negligence. The data presented is not guaranteed and does not replace expert advice.