



Wieland GEWA-K, GEWA-KS

Low-finned Tubes

Wieland GEWA-K and GEWA-KS tubes are low-finned tubes in copper and copper alloys as well as carbon steel, stainless steel and titanium. They are mainly used in the refrigeration and air-conditioning industry (refrigerant condenser and refrigerant evaporator), in machine and equipment industry (oil and gas cooler), in the process and power industry (cooler, preheater, condenser evaporator and reboiler).

GEWA-K tubes have a plain inner surface. GEWA-KS tubes have grooves on the inner surface for optimum heat transfer.

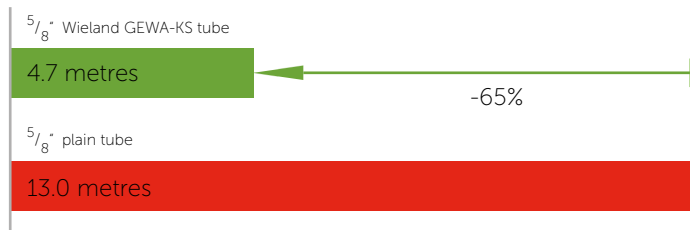
Interesting applications of copper and copper-alloy tubes include dry-expansion evaporators in the air-conditioning and refrigeration industry with tube-side evaporation of safety refrigerants such as R134a, R407C, R404A and shell-side cooling using water and water/glycol mixtures. Further applications are coaxial evaporators, compressed air driers and other heat exchangers (e.g. water/water, oil/water, etc.).

GEWA-K and GEWA-KS tubes in carbon steel and stainless steel are used for various applications in the oil and gas, refining, petrochemical, chemical and gasprocessing as well as power industry. Cost-effective solutions such as compact design, reduction of the number of heat exchangers per unit and process efficiency improvement can be developed for various projects ranging from individual heat exchanger replacement and capacity expansion of existing plants to new plant construction.

A version of the GEWA-K tube with a wide fin spacing of 11 fpi and a fin thickness of 0.95 mm is suitable for very robust solutions, particularly for operating conditions involving corrosion and fouling, e.g. in the refining industry.

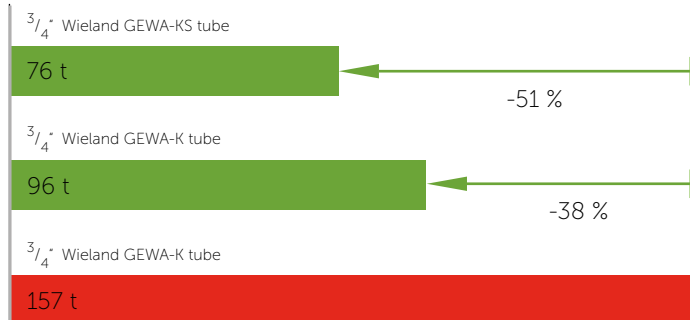
The following three typical applications demonstrate the saving potential offered by low-finned and especially dual enhanced finned tubes. This cost reduction is multiplied by savings made in the overall design (for example refrigerant and process fluid charges, piping, racks, support structures and foundations).

Tube length



TEMA type: AEL; capacity: 900 kW; refrigerant R404A $T_{sat} = -22\text{ }^{\circ}\text{C}$ and CaCl_2 25 % brine; refrigerant (tube side): R404a; 400 tubes each; working fluid (shell side): CaCl_2 25 % brine

Total weight



Capacity: 61 MW; TEMA type: NXN, 1-pass; shell $\varnothing = 2,280$ mm; number of tubes: 6467; propane (shell side): $T_{sat} = 36\text{ }^{\circ}\text{C}$; cooling water (tube side): $T_{inlet/outlet} = 22.0/31.2\text{ }^{\circ}\text{C}$

Dry-expansion evaporator

Size reduction of dry-expansion evaporator by 65 % through the use of GEWA-KS tubes

Compared to plain tubes the size of a dry-expansion evaporator can be reduced at constant capacity, to about one third using Wieland GEWA-KS finned tubes.

Propane-refrigerant condenser

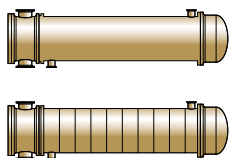

Weight reduction of propane-refrigerant condenser for LNG plant by 50 %

Especially for large scale heat-exchanger equipment the use of GEWA-K and GEWA-KS finned tubes allow for very attractive size and weight reduction. The example shown has been implemented for a large LNG plant in the Gulf region.

Kerosene cooler

Reduction of number of heat exchangers by 50 %

For a kerosene cooler in a crude pre-heating train of a refinery, the number of heat exchangers can be reduced from two to one by using GEWA-KS tubes compared to plain tubes, while at the same time achieving a pressure drop reduction by 50 %.

Tube type	1" plain tube, Carbon steel (CS)	1" GEWA-KS, Carbon steel (CS)
	2 heat exchangers (1,300 mm shell \varnothing x 4.88 m tube length)	1 heat exchanger (1,500 mm shell \varnothing x 6.1 m tube length)
		

Number of tubes	[pieces]	1,292		1,782
Tube length	[m]	4.8	-14 %	6.1
Shell-side pressure drop	[kPa]	33.0	-50 %	16.5
Tube-side pressure drop	[kPa]	63	-38 %	24
Overall heat transfer coefficient h	[W/m ² K]	243	+87 %	455

Capacity: 2.0 MW; TEMA type: AES; crude oil (tube side): $T_{inlet/outlet} = 25\text{ }^{\circ}\text{C}/29\text{ }^{\circ}\text{C}$; Kerosene (shell side): $T_{inlet/outlet} = 47.8\text{ }^{\circ}\text{C}/29.0\text{ }^{\circ}\text{C}$

Production and processing

The fins are obtained by roll forming the outer surface of a plain tube. This process results in an increase in strength of the finned sections, whereas the plain ends and lands remain soft. Soft annealing of the tubes is required if they have to be suitable for bending and coiling.

Tubes in alloys susceptible to stress corrosion cracking such as CuZn28Sn1 or CuZn20Al2 are thermally stress relieved after finning. Heat treatment is also possible for finned tubes made from all other materials for recrystallisation (normalisation) of the structure, GEWA-K finned tubes resist very high mechanical and thermal stress. The fin diameter does not exceed the maximum outside diameter of the plain tube sections at any single point.

Technical service

Wieland Thermal Solutions supports from the very early product planning stages in order to obtain optimum results for the manufacturing stage and for your application.

Wieland offers in-house thermal design software.
For details please refer to wieland.com/optimized-heat-transfer

In case of interest tailor-made thermal design is available both through the ThermalS platform of Wieland Thermal Solutions or with HTRI thermal design software.

Advantages of GEWA-K and GEWA-KS tubes

- Optimised inner to outer surface ratio
- Compact designs through high specific heat capacity
- Enhanced performance through inner structures (GEWA-KS)
- Flexible design possible as bent or coiled heat exchangers

Quality assurance

To ensure consistent product quality, Wieland Thermal Solutions has a sophisticated quality control and assurance systems according to DIN EN ISO 9001 which has been verified and certified by an independent certification company.

Tube dimensions and specifications

The tube code system is described in the table "Tube identification" (page 4). Weight conversion if not stated otherwise is based on K21 Cu-DHP material. The weight of other copper alloys is weighted accordingly. In case of other materials such as carbon and stainless steel or titanium the reference weight is stated in the individual tables. All weights are approximate values. Actual values depend on the individual specification and the configuration of the tube with plain ends respectively plain lands.

Finned tube ASTM standards are given by B359 for copper and copper alloys, A1012 for austenitic, ferritic and duplex alloys) as well as B891 for titanium.

In case of stainless (austenitic, ferritic and duplex) and titanium tube materials tubes are available in seamless and welded condition.

The overview of tube dimensions represents the current active portfolio. Modifications and other geometries are available upon request.

Materials and Properties

Tube identification					
K	26	15	12	080	00
GEWA-K	Number of fin per inch	Fin height in 1/10 mm	Nominal root diameter in mm	Root wall thickness in 1/100 mm	Code number for the inner structure (00 = plain inside surface)

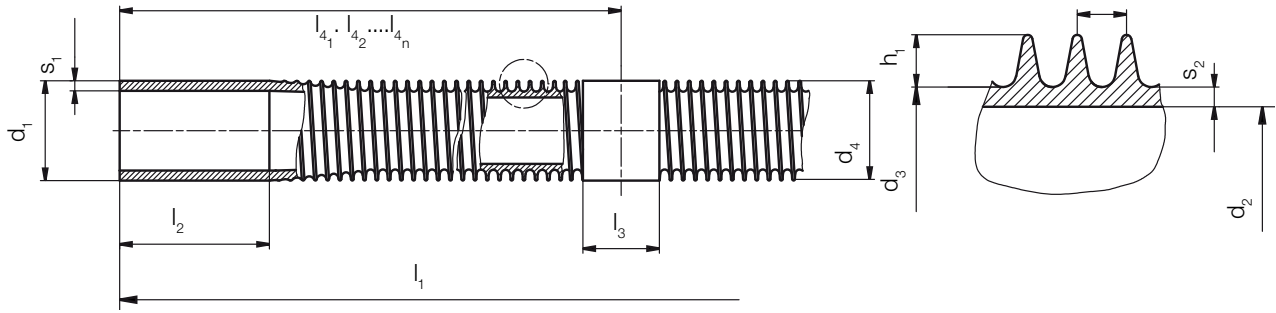
Weight conversion for copper alloys $G=G_{k21} \cdot f$	
Material	f
S28	0.96
S76	0.93
L10, L30	1.00

Length l_1	Tolerance
< 2,000	+2 mm
2,000–8,000	+1 %
> 8,000	+0.7 % (min. 8 mm)

Material designations					Mechanical properties				Physical properties		
Europe		International		Wieland	Tensile strength R_m (min.)	Yield strength $R_{p0.2}$ (min.)	Elongation A5 (min.)	Hardness	Density	Thermal expansion coefficient	Thermal conductivity
EN Symbol	Standard	UNS/Grade	Standard		N/mm ²	N/mm ²	%	HV	kg/dm ³	10 ⁶ /K	W/mK
Copper and copper alloys											
Cu-DHP		C12200		K21	220	40	40	min. 40	8.94	17.7	>310
CuZn28Sn1As		C44300		S28	320	100	55	min. 60	8.56	20.0	110
CuZn20Al2As	EN12452	C68700	ASTM B359	S76	340	1120	55	min. 60	8.35	19.0	100
CuNi10Fe1Mn		C70600		L10	290	90	30	min. 70	8.92	17.0	45
CuNi20Mn1Fe		C71500		L30	370	12	35	min. 85	8.93	16.0	30
Carbon steel alloys											
P235GH	EN10216-2		ASTM A179		360–500	235	25	72 HRB	7.85	13.0	57
P255QL	EN10216-4	Gr. 1, 6	ASTM A334		360–490	255	23	163 HB	7.85	13.0	57
13CrMo4-5	EN10216-2	T11	ASTM A213		430–580	290	22		7.85	18.5	42
X12CrMo5+l	EN10216-2	T5	ASTM A213		440–590	175	20	89 HRB	7.80	19.0	28
Austenitic stainless steel alloys											
1.4306		TP304L			460–680	180	40	90 HRB	7.90	17.0	15
1.4404	EN10216-5	TP316L	ASTM A213		490–690	190	40	90 HRB	7.98	17.5	15
1.4541	EN10217-7	TP321	A249		500–730	200	35	90 HRB	7.90	17.0	15
1.4571		TP316Ti			490–690	190	35	90 HRB	8.00	18.0	15
Ferritic and duplex stainless steel alloys											
1.4510	EN10296-2	TP439	ASTM A268		415	205	20	90 HRB	7.75	10.1	21
1.4462	EN10216-5 EN10217-7	S32205	ASTM A789		665	485	25	290 HBW	7.80	15.0	15
1.4162	EN10216-5 EN10217-7	S32101	ASTM A789		700	530	30	30 HRC	7.80	15.0	15
Titanium											
3.7035	DIN17850	Gr. 2	ASTM B338		345	275–450	20		4.51	9.2	17

Other alloys on request

GEWA-K



Nomenclature

A_a	Outside surface
A_i	Inside surface
A_a/A_i	Surface area ratio (outside to inside surface area within finned section)
d_1	Outside diameter of plain section
d_2	Inside diameter of finned section
d_3	Root diameter
d_4	Diameter over fins
h_1	Fin height outside

l_1	Overall tube length
l_2	Length of plain end
l_3	Length of plain land
$l_{4..n}$	Distance between n^{th} land centre and tube end
m	Fin pitch
s_1	Wall thickness of plain end and unfinned portions
s_2	Root wall thickness

GEWA-K 11 fins/inch				Fin pitch $m = 2.20$ mm Fin height $h = 1.50$ mm			Average fin thickness $\sigma_R \approx 0.95$ mm Production length 18 m (max.)				
Tube No.	Material			Plain section			Finned section				Weight
	A179	A334	A213 T11/T5	d_1		s_1	d_3	s_2	A_a	A_a/A_i	G_{CS}
				inch	mm	mm	mm	mm	m^2/m	-	
K-1115.12150-00	•	•	•	5/8	15.88	2.11	12.70	1.50	0.091	3.00	0.653
K-1115.15150-00	•	•	•	3/4	19.05	2.11	15.90	1.50	0.111	2.743	0.825
K-1115.22220-00	•	•	•	1	25.40	2.77	22.20	2.20	0.152	2.72	1.480
K-1115.22245-00	•	•	•	1	25.40	3.05	22.20	2.45	0.152	2.80	1.590

GEWA-K 19 fins/inch		Fin pitch m = 1.35 mm Fin height h = 1.50 mm				Average fin thickness $\sigma_R \approx 0.30$ mm Production length 18 m (max.)							
Tube No.	Material					Plain section			Finned section				Weight
	K21	L10	L30	S28	S76	d ₁		s ₁	d ₃	s ₂	A _a	A _a /A _i	G _{K21}
						inch	mm	mm	mm	mm	m ² /m	–	kg/m
K-1915.09080-00	•	•				1/2	12.70	1.20	9.50	0.80	0.103	4.15	0.407
K-1915.09090-00	•	•				1/2	12.70	1.30	9.50	0.90	0.103	4.26	0.429
K-1915.09100-00	•	•	•	•	•	1/2	12.70	1.40	9.50	1.00	0.103	4.37	0.450
K-1915.09125-00	•	•	•	•	•	1/2	12.70	1.65	9.50	1.25	0.103	4.68	0.501
K-1915.09150-00	•	•	•	•	•	1/2	12.70	1.90	9.50	1.50	0.103	5.04	0.549
K-1915.12070-00	•					5/8	15.88	1.10	12.70	0.70	0.131	3.69	0.417
K-1915.12080-00	•	•				5/8	15.88	1.20	12.70	0.80	0.131	3.76	0.448
K-1915.12090-00	•	•				5/8	15.88	1.30	12.70	0.90	0.131	3.83	0.479
K-1915.12100-00	•	•	•	•	•	5/8	15.88	1.40	12.70	1.00	0.131	3.90	0.510
K-1915.12100-00	•	•	•	•	•	5/8	15.88	1.50	12.70	1.10	0.131	3.97	0.539
K-1915.12120-00	•	•	•	•	•	5/8	15.88	1.60	12.70	1.20	0.126	3.89	0.561
K-1915.12170-00	•	•	•	•	•	5/8	15.88	2.10	12.70	1.70	0.126	4.31	0.699
K-1915.15070-00	•					3/4	19.05	1.20	15.80	0.70	0.154	3.38	0.554
K-1915.15080-00	•					3/4	19.05	1.30	15.80	0.80	0.154	3.43	0.594
K-1915.15090-00	•	•				3/4	19.05	1.35	15.80	0.90	0.154	3.48	0.633
K-1915.15100-00	•	•	•	•	•	3/4	19.05	1.45	15.80	1.00	0.154	3.53	0.673
K-1915.15125-00	•	•	•	•	•	3/4	19.05	1.75	15.80	1.25	0.154	3.66	0.768
K-1915.15140-00	•	•	•	•	•	3/4	19.05	1.90	15.80	1.40	0.154	3.75	0.823
K-1915.15150-00	•	•	•	•	•	3/4	19.05	2.00	15.80	1.50	0.154	3.83	0.814
K-1915.15235-00	•	•	•	•	•	3/4	19.05	2.85	15.80	2.35	0.154	4.42	1.099
K-1915.19100-00	•	•				7/8	22.22	1.50	19.00	1.00	0.183	3.41	0.810
K-1915.19125-00	•	•	•	•	•	7/8	22.22	1.75	19.00	1.25	0.183	3.51	0.927
K-1915.19150-00	•	•	•	•	•	7/8	22.22	2.00	19.00	1.50	0.183	3.62	1.042
K-1915.19170-00	•	•	•	•	•	7/8	22.22	2.20	19.00	1.70	0.183	3.71	1.130
K-1915.19180-00	•	•	•	•	•	7/8	22.22	2.30	19.00	1.80	0.183	3.78	1.120
K-1915.19250-00	•	•	•	•	•	7/8	22.22	3.00	19.00	2.50	0.183	4.16	1.409
K-1915.22125-00	•	•				1	25.40	1.75	22.20	1.25	0.212	3.41	1.087
K-1915.22165-00	•	•	•	•	•	1	25.40	2.15	22.20	1.65	0.212	3.55	1.304
K-1915.22210-00	•	•	•	•	•	1	25.40	2.60	22.20	2.10	0.212	3.75	1.476
K-1915.22250-00	•	•	•	•	•	1	25.40	3.00	22.20	2.50	0.212	3.92	1.673

GEWA-K 19 fins/inch		Fin pitch m = 1.35 mm Fin height h = 1.42 mm				Average fin thickness $\sigma_R \approx 0.30$ mm Production length 18 m (max.)					
Tube No.	Material		Plain section			Finned section					Weight
	A179	A334	d ₁		s ₁	d ₃	s ₂	A _a	A _a /A _i	G _{CS}	
			inch	mm	mm	mm	mm	m ² /m	–	kg/m	
K-1914.12125-00	•	•	5/8	15.88	1.65	12.90	1.25	0.121	3.70	0.507	
K-1914.12165-00	•	•	5/8	15.88	2.10	12.90	1.65	0.121	4.01	0.594	
K-1914.16125-00	•	•	3/4	19.05	1.75	16.00	1.25	0.148	3.49	0.635	
K-1914.16138-00			3/4	19.05	1.80	16.00	1.38	0.148	3.53	0.690	
K-1914.16165-00	•	•	3/4	19.05	2.10	16.00	1.65	0.148	3.71	0.764	
K-1914.16210-00	•	•	3/4	19.05	2.50	16.00	2.10	0.148	3.99	0.900	
K-1914.16235-00	•	•	3/4	19.05	2.75	16.00	2.35	0.148	4.21	0.985	
K-1914.19165-00	•	•	7/8	22.22	2.10	19.20	1.65	0.175	3.50	0.927	
K-1914.19210-00	•	•	7/8	22.22	2.50	19.20	2.10	0.175	3.71	1.099	
K-1914.19240-00	•	•	7/8	22.22	2.80	19.20	2.40	0.175	3.87	1.208	
K-1914.22210-00	•	•	1	25.40	2.50	22.40	2.10	0.203	3.55	1.298	
K-1914.22240-00	•	•	1	25.40	2.80	22.40	2.40	0.203	3.67	1.430	
K-1914.22275-00	•	•	1	25.40	3.15	22.40	2.75	0.203	3.82	1.579	

GEWA-K 26 fins/inch		Fin pitch m = 1.00 mm Fin height h = 1.50 mm					Average fin thickness $\sigma_R \approx 0.30$ mm Production length 18 m (max.)						
Tube No.	Material					Plain section			Finned section				Weight
	K21	L10	L30	S28	S76	d ₁		s ₁	d ₃	s ₂	A _a	A _a /A _i	G _{K21}
						inch	mm	mm	mm	mm	m ² /m	–	kg/m
K-2615.09080-00	•	•				1/2	12.70	1.20	9.50	0.80	0.129	5.20	0.329
K-2615.09090-00	•	•				1/2	12.70	1.30	9.50	0.90	0.129	5.33	0.351
K-2615.09100-00	•	•	•	•	•	1/2	12.70	1.40	9.50	1.00	0.129	5.47	0.372
K-2615.09125-00	•	•	•	•	•	1/2	12.70	1.65	9.50	1.25	0.129	5.87	0.423
K-2615.09150-00	•	•	•	•	•	1/2	12.70	1.90	9.50	1.50	0.129	6.32	0.471
K-2615.12070-00	•					5/8	15.88	1.10	12.70	0.70	0.167	4.70	0.408
K-2615.12080-00	•	•				5/8	15.88	1.20	12.70	0.80	0.167	4.79	0.440
K-2615.12090-00	•	•				5/8	15.88	1.30	12.70	0.90	0.167	4.88	0.471
K-2615.12100-00	•	•	•	•	•	5/8	15.88	1.40	12.70	1.00	0.167	4.97	0.501
K-2615.12110-00	•	•	•	•	•	5/8	15.88	1.50	12.70	1.10	0.167	5.06	0.531
K-2615.12120-00	•	•	•	•	•	5/8	15.88	1.60	12.70	1.20	0.167	5.04	0.582
K-2615.12170-00	•	•	•	•	•	5/8	15.88	2.10	12.70	1.70	0.167	5.58	0.720
K-2615.15070-00	•					3/4	19.05	1.20	15.80	0.70	0.204	4.51	0.507
K-2615.15080-00	•					3/4	19.05	1.35	15.80	0.80	0.204	4.57	0.547
K-2615.15090-00	•	•				3/4	19.05	1.45	15.80	0.90	0.204	4.64	0.587
K-2615.15100-00	•	•	•			3/4	19.05	1.50	15.80	1.00	0.204	4.71	0.626
K-2615.15150-00	•	•	•	•	•	3/4	19.05	2.00	15.80	1.50	0.204	4.95	0.839
K-2615.15235-00	•	•	•	•	•	3/4	19.05	2.85	15.80	2.35	0.204	5.71	1.125
K-2615.19100-00	•	•				7/8	22.22	1.50	19.00	1.00	0.242	4.53	0.755
K-2615.19125-00	•	•	•	•	•	7/8	22.22	1.75	19.00	1.25	0.242	4.67	0.872
K-2615.19165-00	•	•	•	•	•	7/8	22.22	2.15	19.00	1.65	0.242	4.91	1.003
K-2615.19180-00	•	•	•	•	•	7/8	22.22	2.30	19.00	1.80	0.242	4.88	1.150
K-2615.19250-00	•	•	•	•	•	7/8	22.22	3.00	19.00	2.50	0.242	5.37	1.439
K-2615.22125-00	•	•				1	25.40	1.75	22.20	1.25	0.281	4.54	1.023
K-2615.22165-00	•	•	•	•	•	1	25.40	2.15	22.20	1.65	0.281	4.73	1.240
K-2615.22210-00	•	•	•	•	•	1	25.40	2.60	22.20	2.10	0.281	4.85	1.510
K-2615.22250-00	•	•	•	•	•	1	25.40	3.00	22.20	2.50	0.281	5.07	1.708

GEWA-K 28 fins/inch		Fin pitch m = 0.91 mm Fin height h = 1.245 mm			Average fin thickness $\sigma_R \approx 0.30$ mm Production length 18 m (max.)					
Tube No.	Material		Plain section			Finned section				Weight
	TP 439		d_1		s_1	d_3	s_2	A_a	A_a/A_i	G_{K21}
			inch	mm	mm	mm	mm	m ² /m	–	kg/m
K-2813.16125-00	•		3/4	19.05	1.83	16.51	1.25	0.186	4.23	0.636
K-2813.19125-00	•		7/8	22.22	1.83	19.68	1.25	0.218	4.04	0.763
K-2813.22125-00	•		1	25.40	1.83	22.86	1.25	0.252	3.94	0.891

GEWA-K 26 fins/inch		Fin pitch m = 1.00 mm Fin height h = 1.42 mm			Average fin thickness $\sigma_R \approx 0.30$ mm Production length 18 m (max.)					
Tube No.	Material		Plain section			Finned section				Weight
	A179	A334	d_1		s_1	d_3	s_2	A_a	A_a/A_i	G_{CS}
			inch	mm	mm	mm	mm	m ² /m	–	kg/m
K-2614.09100-00			1/2	12.70	1.40	9.70	1.00	0.118	4.80	0.343
K-2614.12125-00	•	•	5/8	15.88	1.65	12.90	1.25	0.155	4.74	0.525
K-2614.12165-00	•	•	5/8	15.88	2.10	12.90	1.65	0.155	5.09	0.612
K-2614.16125-00			3/4	19.05	1.75	16.00	1.25	0.193	4.60	0.632
K-2614.16165-00	•	•	3/4	19.05	2.10	16.00	1.65	0.193	4.76	0.786
K-2614.16210-00	•	•	3/4	19.05	2.50	16.00	2.10	0.193	5.13	0.922
K-2614.19125-00	•	•	7/8	22.22	1.85	19.20	1.25	0.228	4.40	0.763
K-2614.19200-00	•	•	7/8	22.22	2.40	19.20	2.00	0.228	4.71	1.087
K-2614.19240-00	•	•	7/8	22.22	2.80	19.20	2.40	0.228	4.97	1.233
K-2614.22165-00	•	•	1	25.40	2.10	22.40	1.65	0.263	4.45	1.087
K-2614.22210-00	•	•	1	25.40	2.50	22.40	2.10	0.263	4.55	1.327
K-2614.22240-00	•	•	1	25.40	2.80	22.40	2.40	0.263	4.70	1.460

GEWA-K 28 fins/inch		Fin pitch m = 0.91 mm Fin height h = 0.90 mm			Average fin thickness $\sigma_R \approx 0.30$ mm Production length 18 m (max.)					
Tube No.	Material		Plain section			Finned section				Weight
	Lean-Duplex 2101	Duplex 2205	d_1		s_1	d_3	s_2	A_a	A_a/A_i	G
			inch	mm	mm	mm	mm	m ² /m	–	kg/m
K-2809.17107-00	•	•	3/4	19.05	1.65	17.25	1.07	0.148	3.12	0.566
K-2809.17125-00	•	•	3/4	19.05	1.83	17.25	1.25	0.148	3.19	0.633
K-2809.17165-00	•	•	3/4	19.05	2.11	17.25	1.65	0.148	3.38	0.774
K-2809.20107-00	•	•	7/8	22.22	1.65	20.43	1.07	0.174	3.03	0.675
K-2809.20125-00	•	•	7/8	22.22	1.83	20.43	1.25	0.174	3.09	0.755
K-2809.20165-00	•	•	7/8	22.22	2.11	20.43	1.65	0.174	3.23	0.927
K-2809.23107-00	•	•	1	25.40	1.65	23.60	1.07	0.198	2.94	0.783
K-2809.23125-00	•	•	1	25.40	1.83	23.60	1.25	0.198	2.99	0.877
K-2809.23165-00	•	•	1	25.40	2.11	23.60	1.65	0.198	3.10	1.080
K-2809.23183-00	•	•	1	25.40	2.41	23.60	1.83	0.198	3.16	1.168

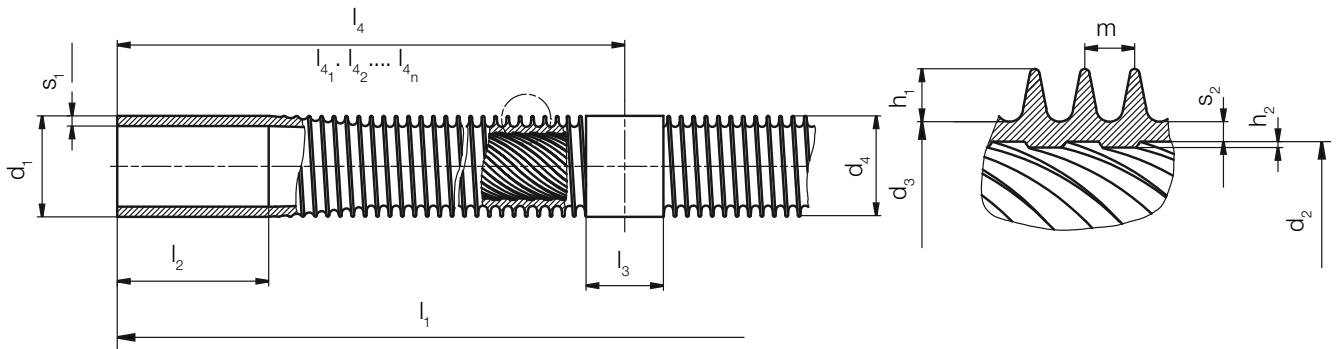
GEWA-K 30 fins/inch		Fin pitch m = 0.85 mm Fin height h = 0.90 mm					Average fin thickness $\sigma_R \approx 0.30$ mm Production length 18 m (max.)							
Tube No.	Material						Plain section			Finned section				Weight
	Al79	A334	TP 304 L	TP 316 L	TP 316 Ti	Ti Gr. 2	d ₁		s ₁	d ₃	s ₂	A _a	A _a /A _i	G _{CS}
							inch	mm	mm	mm	mm	m ² /m	-	kg/m
K-3009.10125-00			•	•	•		1/2	12.70	1.65	10.90	1.25	0.100	3.79	0.523
K-3009.14107-00	•	•	•	•	•		5/8	15.88	1.65	14.08	1.07	0.127	3.39	0.523
K-3009.14125-00	•	•	•	•	•		5/8	15.88	1.83	14.08	1.25	0.127	3.49	0.580
K-3009.14165-00	•	•	•	•	•		5/8	15.88	2.11	14.08	1.65	0.127	3.75	0.634
K-3009.17107-00			•	•	•		3/4	19.05	1.65	17.25	1.07	0.152	3.20	0.648
K-3009.17125-00			•	•	•		3/4	19.05	1.83	17.25	1.25	0.152	3.28	0.720
K-3009.17165-00	•	•	•	•	•		3/4	19.05	2.11	17.25	1.65	0.152	3.47	0.799
K-3009.17183-00	•	•	•	•	•		3/4	19.05	2.41	17.25	1.83	0.152	3.56	0.909
K-3009.20125-00			•	•	•		7/8	22.22	1.83	20.42	1.25	0.181	3.22	0.860
K-3009.20165-00			•	•	•		7/8	22.22	2.11	20.42	1.65	0.181	3.37	0.946
K-3009.20183-00			•	•	•		7/8	22.22	2.41	20.42	1.83	0.181	3.44	1.090
K-3009.23125-00			•	•	•		1	25.40	1.83	23.60	1.25	0.208	3.14	1.002
K-3009.23165-00			•	•	•		1	25.40	2.11	23.60	1.65	0.208	3.26	1.104
K-3009.23183-00	•	•	•	•	•		1	25.40	2.41	23.60	1.83	0.208	3.32	1.277
K-3009.23211-00	•	•	•	•	•		1	25.40	2.77	23.60	2.11	0.208	3.42	1.468

GEWA-K 30 fins/inch		Fin pitch m = 0.850 mm Fin height h = 0.813 mm					Average fin thickness $\sigma_R \approx 0.30$ mm Production length 18 m (max.)							
K-3008.17071-00						•	3/4	19.05	1.25	17.42	0.71	0.144	2.86	0.297
K-3008.23107-00						•	1	25.40	1.65	23.77	1.07	0.194	2.85	0.540

GEWA-K 36 fins/inch		Fin pitch m = 0.705 mm Fin height h = 0.66 mm					Average fin thickness $\sigma_R \approx 0.30$ mm Production length 18 m (max.)				
Tube No.	Material		Plain section			Finned section				Weight	
	Ti Gr. 2		d ₁		s ₁	d ₃	s ₂	A _a	A _a /A _i	G	
			inch	mm	mm	mm	mm	m ² /m	-	kg/m	
K-3607.17071-00		•	3/4	19.05	1.25	17.73	0.71	0.145	2.83	0.288	
K-3607.24071-00		•	1	25.40	1.25	24.08	0.71	0.195	2.74	0.376	
K-3607.24090-00		•	1	25.40	1.47	24.08	0.90	0.195	2.79	0.468	
K-3607.24107-00		•	1	25.40	1.65	24.08	1.07	0.195	2.83	0.515	

GEWA-K 40 fins/inch		Fin pitch m = 0.64 mm Fin height h = 0.90 mm					Average fin thickness $\sigma_R \approx 0.30$ mm Production length 18 m (max.)				
Tube No.	Material		Plain section			Finned section				Weight	
	K21	L10	d ₁		s ₁	d ₃	s ₂	A _a	A _a /A _i	G	
			inch	mm	mm	mm	mm	m ² /m	-	kg/m	
K-3607.17071-00	•	•	3/4	19.00	1.12	17.00	0.70	0.194	3.96	0.495	
K-3607.24071-00	•	•	3/4	19.00	1.35	17.00	0.90	0.194	4.06	0.600	

GEWA-KS



Nomenclature

A_a	Outside surface
A_i	Inside surface
A_a/A_i	Surface area ratio (outside to inside surface area within finned section)
d_1	Outside diameter of plain section
d_2	Inside diameter of finned section
d_3	Root diameter
d_4	Diameter over fins
h_1	Fin height outside
h_2	Fin height inside

l_1	Overall tube length
l_2	Length of plain end
l_3	Length of plain land
$l_{4..n}$	Distance between nth land centre and tube end
m	Fin pitch
s_1	Wall thickness of plain end and unfinned portions
s_2	Root wall thickness

GEWA-KS		Production length 8 m max. (K21) and 18 m max. (steel)												
Tube No.	Material			Plain section			Finned section					Weight		
	K21	A179, A334	TP304L, TP316L, TP316Ti	d_1		s_1	h_1	d_3	s_2	h_2	A_a	A_a/A_i	G	
				inch	mm	mm	mm	mm	mm	mm	mm	m ² /m	-	kg/m
19 fins/inch													Average fin thickness $\sigma_R \approx 0.30$ mm	
K-1908.14070-22	•			5/8	15.88	1.30	0.80	14.1	0.70	0.45	0.091	1.36	0.460	
K-1908.17070-24	•			3/4	19.05	1.35	0.80	17.2	0.70	0.50	0.107	1.28	0.570	
K-1914.16140-53		•		3/4	19.05	2.11	1.40	16.1	1.40	0.20	0.149	2.91	0.785	
K-1914.22240-53		•		1	25.40	3.05	1.50	22.2	2.40	0.35	0.212	2.73	1.470	
30 fins/inch													Average fin thickness $\sigma_R \approx 0.30$ mm	
K-3009.14080-59			•	5/8	15.88	1.47	0.90	14.08	0.80	0.35	0.127	3.24	0.436	
K-3009.14100-59			•	5/8	15.88	1.65	0.90	14.08	1.00	0.35	0.127	3.35	0.497	
K-3009.14120-59			•	5/8	15.88	1.83	0.90	14.08	1.20	0.35	0.127	3.46	0.556	
K-3009.17140-48		•		3/4	19.05	2.11	0.90	17.1	1.40	0.40	0.162	2.81	0.780	
K-3009.17080-59			•	3/4	19.05	1.47	0.90	17.25	0.90	0.35	0.154	3.17	0.525	
K-3009.17107-59			•	3/4	19.05	1.65	0.90	17.25	1.07	0.35	0.154	3.24	0.602	
K-3009.17125-59			•	3/4	19.05	1.83	0.90	17.25	1.25	0.35	0.154	3.32	0.658	
K-3009.23220-48		•		1	25.40	2.80	0.90	23.4	2.20	0.40	0.212	2.71	1.450	

wieland

Wieland-Werke AG | Graf-Arco-Straße 36 | 89079 Ulm | Germany
 info@wieland.com | wieland.com

This brochure is for your general information only and is not subject to revision. No claims can be derived from it unless there is evidence of intent or gross negligence. The data presented is not guaranteed and does not replace expert advice.